

# VX series

2,000kg / 2,500kg / 3,000kg / 3,500kg

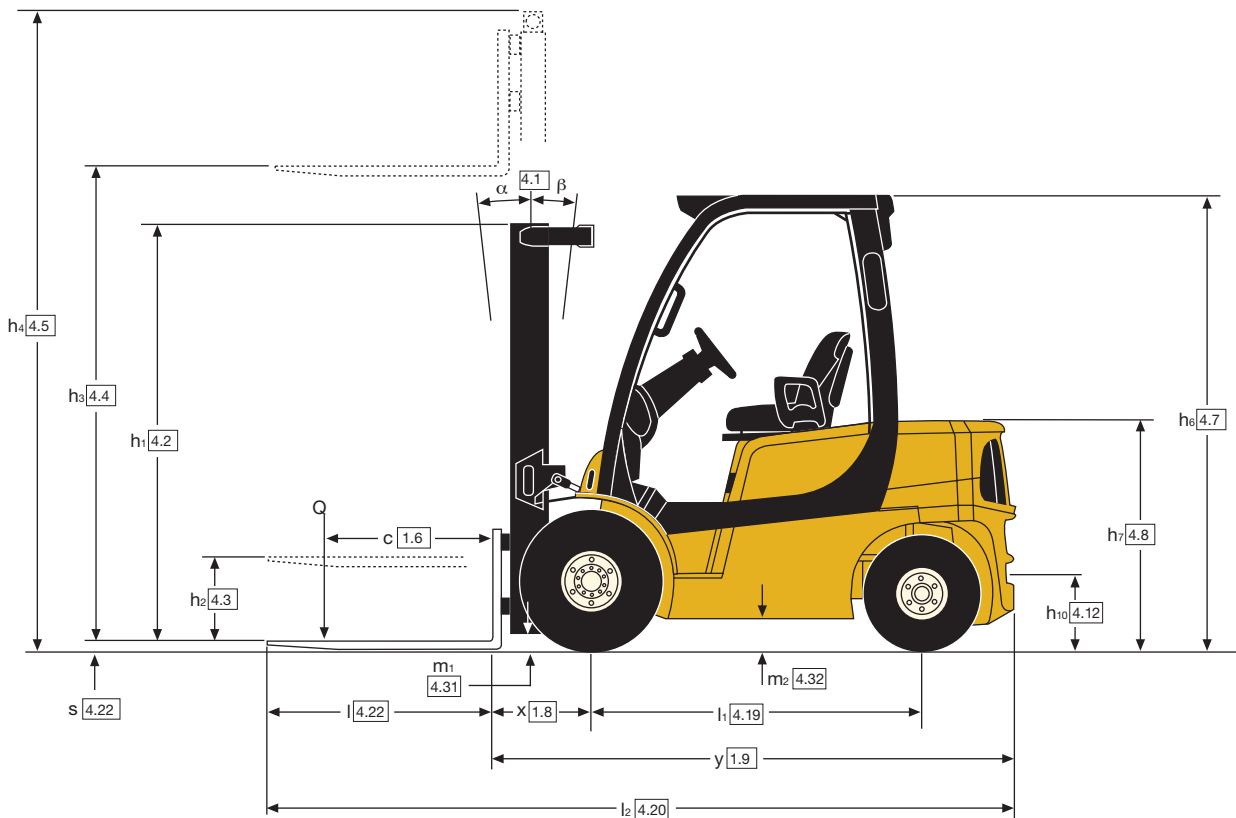
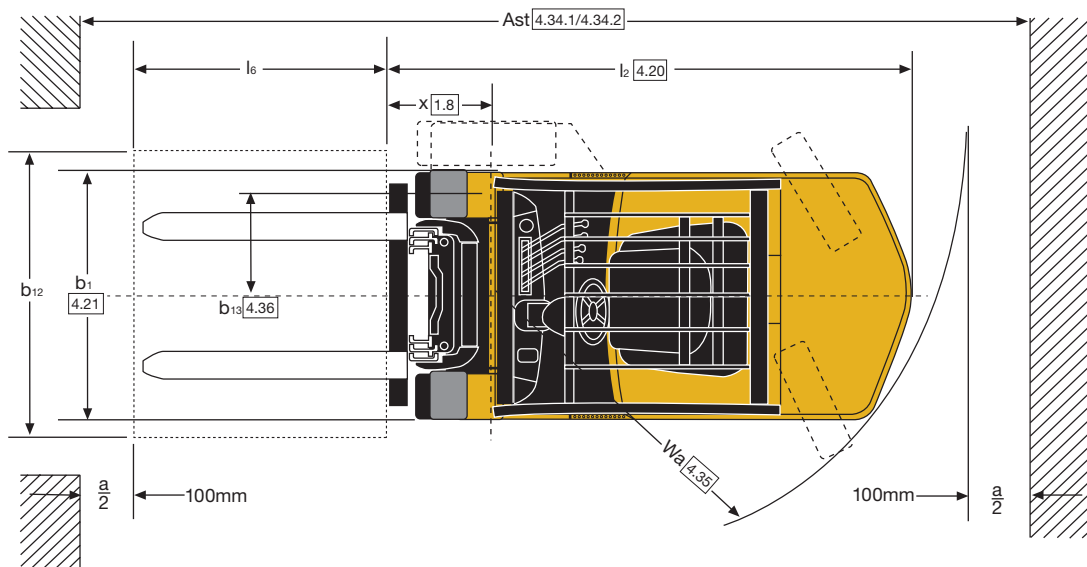
## Diesel Forklift Trucks



- Gold edition with extra accessories available as the new standard truck
- High Visibility Masts and optional Side Shifting Fork Positioner
- Intellix Vehicle Management System with CAN bus technology
- 2 application matched transmissions
- Oil immersed brakes
- AccuTouch mini levers and manual levers

Now with Stage V engines  
for lower emissions

## Truck Dimensions



## Engine Specifications

### Kubota 2.4L, Diesel

|                           |                     |
|---------------------------|---------------------|
| 4 Cylinder                | Overhead valve      |
| Displacement              | 2.4 litre           |
| Torque                    | 196 Nm @ 1,500rpm   |
| Power                     | 43.2 kW @ 2,400rpm  |
| Air filtration            | Two stage, dry type |
| VDI 2198                  | 2.5L                |
| IDI fuel injection system |                     |

### GDP 20VX, GDP 25VX Mast details and capacity ratings (kg) - Superelastic tyres

| Model                |                        |                          |                          |                        |      | GDP 20 VX |                  |      |      |                    |      | GDP 25 VX |                  |       |       |                    |       |       |
|----------------------|------------------------|--------------------------|--------------------------|------------------------|------|-----------|------------------|------|------|--------------------|------|-----------|------------------|-------|-------|--------------------|-------|-------|
| Tyre size, front     |                        |                          |                          |                        |      | 7.00 x 12 |                  |      |      |                    |      | 7.00 x 12 |                  |       |       |                    |       |       |
| Overall width, front |                        |                          |                          |                        |      | 1157mm    |                  |      |      |                    |      | 1157mm    |                  |       |       |                    |       |       |
| Mast                 | h <sub>1</sub><br>(mm) | h <sub>2+s</sub><br>(mm) | h <sub>3+s</sub><br>(mm) | h <sub>4</sub><br>(mm) | Tilt |           | Forks            |      |      | Integral Sideshift |      |           | Forks            |       |       | Integral Sideshift |       |       |
|                      |                        |                          |                          |                        | F    | B         | Load centre (kg) |      |      | Load centre (kg)   |      |           | Load centre (kg) |       |       | Load centre (kg)   |       |       |
|                      |                        |                          |                          |                        |      |           | 500              | 600  | 700  | 500                | 600  | 700       | 500              | 600   | 700   | 500                | 600   | 700   |
| 2 Stage LFL          | 2170                   | 140                      | 3290                     | 3904                   | 6    | 5         | 2000             | 1920 | 1750 | 2000               | 1840 | 1680      | 2500             | 2370  | 2170  | 2500               | 2280  | 2090  |
|                      | 2420                   | 140                      | 3790                     | 4404                   | 6    | 5         | 2000             | 1910 | 1740 | 2000               | 1830 | 1680      | 2500             | 2360  | 2160  | 2500               | 2270  | 2080  |
|                      | 2770                   | 140                      | 4330                     | 4944                   | 6    | 5         | 2000             | 1890 | 1730 | 1990               | 1810 | 1660      | 2500             | 2350  | 2150  | 2480               | 2250  | 2070  |
|                      | 3020                   | 140                      | 4830                     | 5444                   | 6    | 5         | 1910             | 1800 | 1640 | 1890               | 1720 | 1580      | 2400             | 2240  | 2040  | 2370               | 2150  | 1960  |
| 2 Stage FFL          | 2170                   | 1558                     | 3300                     | 3914                   | 6    | 5         | 2000             | 1920 | 1750 | 2000               | 1840 | 1690      | 2500             | 2380  | 2170  | 2500               | 2280  | 2090  |
|                      | 2020                   | 1382                     | 4350                     | 4938                   | 6    | 5         | 2000             | 1880 | 1720 | 1970               | 1790 | 1640      | 2500             | 2380  | 2170  | 2500               | 2280  | 2090  |
| 3 Stage FFL          | 2170                   | 1582                     | 4950                     | 5538                   | 6    | 5         | 1890             | 1760 | 1610 | 1850               | 1680 | 1540      | 2370             | 2250  | 2060  | 2370               | 2160  | 1980  |
|                      | 2420                   | 1832                     | 5550                     | 6138                   | 6    | 5         | 1760             | 1630 | 1490 | 1720               | 1560 | 1430      | 2240*            | 2110* | 1930* | 2220*              | 2020* | 1850* |
|                      | 2620                   | 2030                     | 6000                     | 6588                   | 6    | 5         | 1660             | 1530 | 1400 | 1600               | 1460 | 1340      | 2120*            | 1990* | 1800* | 2090*              | 1900* | 1740* |

\* With wide tread drive tyres (1317 mm width) or dual drive tyres (1601 mm width) - required for this rating. h<sub>2</sub> & h<sub>4</sub> are less loadbackrest.

### GDP 30VX, GDP 35VX Mast details and capacity ratings (kg) - Superelastic tyres

| Model                |                        |                          |                          |                        |      | GDP 30 VX |                  |       |       |                    |       | GDP 35 VX |                  |       |       |                    |       |       |
|----------------------|------------------------|--------------------------|--------------------------|------------------------|------|-----------|------------------|-------|-------|--------------------|-------|-----------|------------------|-------|-------|--------------------|-------|-------|
| Tyre size, front     |                        |                          |                          |                        |      | 28 x 9-15 |                  |       |       |                    |       | 28 x 9-15 |                  |       |       |                    |       |       |
| Overall width, front |                        |                          |                          |                        |      | 1186mm    |                  |       |       |                    |       | 1186mm    |                  |       |       |                    |       |       |
| Mast                 | h <sub>1</sub><br>(mm) | h <sub>2+s</sub><br>(mm) | h <sub>3+s</sub><br>(mm) | h <sub>4</sub><br>(mm) | Tilt |           | Forks            |       |       | Integral Sideshift |       |           | Forks            |       |       | Integral Sideshift |       |       |
|                      |                        |                          |                          |                        | F    | B         | Load centre (kg) |       |       | Load centre (kg)   |       |           | Load centre (kg) |       |       | Load centre (kg)   |       |       |
|                      |                        |                          |                          |                        |      |           | 500              | 600   | 700   | 500                | 600   | 700       | 500              | 600   | 700   | 500                | 600   | 700   |
| 2 Stage LFL          | 2195                   | 150                      | 3105                     | 3809                   | 6    | 5         | 3000             | 2820  | 2580  | 2970               | 2700  | 2480      | 3500             | 3310  | 3030  | 3490               | 3180  | 2920  |
|                      | 2445                   | 150                      | 3605                     | 4309                   | 6    | 5         | 3000             | 2810  | 2570  | 2950               | 2690  | 2470      | 3500             | 3300  | 3020  | 3480               | 3170  | 2910  |
|                      | 2795                   | 150                      | 4105                     | 4809                   | 6    | 5         | 3000             | 2790  | 2560  | 2940               | 2670  | 2450      | 3500             | 3290  | 3010  | 3460               | 3150  | 2890  |
|                      | 3045                   | 150                      | 4605                     | 5309                   | 6    | 5         | 2890             | 2690  | 2450  | 2830               | 2570  | 2350      | 3390             | 3170  | 2900  | 3340               | 3040  | 2780  |
| 2 Stage FFL          | 2195                   | 1495                     | 3110                     | 3810                   | 6    | 5         | 3000             | 2820  | 2580  | 2960               | 2700  | 2480      | 3500             | 3310  | 3030  | 3490               | 3180  | 2920  |
|                      | 2045                   | 1319                     | 4015                     | 4694                   | 6    | 5         | 3000             | 2800  | 2560  | 2930               | 2670  | 2450      | 3500             | 3290  | 3010  | 3460               | 3150  | 2890  |
| 3 Stage FFL          | 2195                   | 1519                     | 4615                     | 5294                   | 6    | 5         | 2900             | 2700  | 2470  | 2830               | 2580  | 2370      | 3400             | 3190  | 2920  | 3350               | 3050  | 2800  |
|                      | 2345                   | 1669                     | 4915                     | 5594                   | 6    | 5         | 2840             | 2630  | 2410  | 2760               | 2510  | 2310      | 3320*            | 3110* | 2850* | 3260               | 2980  | 2730  |
|                      | 2445                   | 1769                     | 5215                     | 5894                   | 6    | 5         | 2740             | 2560  | 2340  | 2680               | 2440  | 2240      | 3250*            | 3030* | 2780* | 3180*              | 2900* | 2660* |
|                      | 2695                   | 2015                     | 5815                     | 6494                   | 6    | 5         | 2610*            | 2400* | 2200* | 2510*              | 2290* | 2100*     | 2950*            | 2860* | 2610* | 2970*              | 2730* | 2500* |

\* With wide tread drive tyres (1317 mm width) or dual drive tyres (1601 mm width) - required for this rating. h<sub>2</sub> & h<sub>4</sub> are less loadbackrest.

### GDP 20VX, GDP 25VX Mast details and capacity ratings (kg) - Pneumatic Radial tyres

| Model                |                        |                          |                          |                        |      | GDP 20 VX |                  |       |       |                    |       | GDP 25 VX |                  |        |        |                    |        |        |
|----------------------|------------------------|--------------------------|--------------------------|------------------------|------|-----------|------------------|-------|-------|--------------------|-------|-----------|------------------|--------|--------|--------------------|--------|--------|
| Tyre size, front     |                        |                          |                          |                        |      | 7.00 R12  |                  |       |       |                    |       | 7.00 R12  |                  |        |        |                    |        |        |
| Overall width, front |                        |                          |                          |                        |      | 1157mm    |                  |       |       |                    |       | 1157mm    |                  |        |        |                    |        |        |
| Mast                 | h <sub>1</sub><br>(mm) | h <sub>2+s</sub><br>(mm) | h <sub>3+s</sub><br>(mm) | h <sub>4</sub><br>(mm) | Tilt |           | Forks            |       |       | Integral Sideshift |       |           | Forks            |        |        | Integral Sideshift |        |        |
|                      |                        |                          |                          |                        | F    | B         | Load centre (kg) |       |       | Load centre (kg)   |       |           | Load centre (kg) |        |        | Load centre (kg)   |        |        |
|                      |                        |                          |                          |                        |      |           | 500              | 600   | 700   | 500                | 600   | 700       | 500              | 600    | 700    | 500                | 600    | 700    |
| 2 Stage LFL          | 2170                   | 140                      | 3290                     | 3904                   | 6    | 5         | 2000             | 1920  | 1750  | 2000               | 1840  | 1680      | 2500             | 2370   | 2170   | 2500               | 2280   | 2090   |
|                      | 2420                   | 140                      | 3790                     | 4404                   | 6    | 5         | 2000             | 1910  | 1740  | 2000               | 1830  | 1680      | 2500             | 2360   | 2160   | 2500               | 2270   | 2080   |
|                      | 2770                   | 140                      | 4330                     | 4944                   | 6    | 5         | 2000             | 1890  | 1730  | 1990               | 1810  | 1660      | 2500             | 2350   | 2150   | 2480               | 2250   | 2070   |
|                      | 3020                   | 140                      | 4830                     | 5444                   | 6    | 5         | 1910             | 1790  | 1630  | 1890               | 1720  | 1570      | 2390*            | 2240*  | 2040*  | 2360*              | 2150*  | 1960*  |
| 2 Stage FFL          | 2170                   | 1558                     | 3300                     | 3914                   | 6    | 5         | 2000             | 1920  | 1750  | 2000               | 1840  | 1690      | 2500             | 2380   | 2170   | 2500               | 2280   | 2090   |
|                      | 2020                   | 1382                     | 4350                     | 4938                   | 6    | 5         | 2000             | 1880  | 1720  | 1970               | 1790  | 1640      | 2500*            | 2380*  | 2170*  | 2500*              | 2280*  | 2090*  |
| 3 Stage FFL          | 2170                   | 1582                     | 4950                     | 5538                   | 6    | 5         | 1880             | 1760  | 1610  | 1850               | 1680  | 1540      | 2370*            | 2250*  | 2060*  | 2370*              | 2150*  | 1980*  |
|                      | 2420                   | 1832                     | 5550                     | 6138                   | 6    | 5         | 1760*            | 1630* | 1490* | 1710*              | 1560* | 1430*     | 2240**           | 2110** | 1930** | 2220**             | 2020** | 1860** |
|                      | 2620                   | 2030                     | 6000                     | 6588                   | 6    | 5         | 1650*            | 1520* | 1380* | 1600*              | 1450* | 1330*     | 2130**           | 1990** | 1810** | 2100**             | 1910** | 1740** |

\* With wide tread drive tyres (1321 mm width) or dual drive tyres (1601 mm width) - required for this rating. \*\* Dual Drive tyres (1601 mm width) - required for this rating. h<sub>2</sub> & h<sub>4</sub> are less loadbackrest.

### GDP 30VX, GDP 35VX Mast details and capacity ratings (kg) - Pneumatic Radial tyres

| Model                |                        |                          |                          |                        |      | GDP 30 VX   |                  |        |        |                    |        | GDP 35 VX   |                  |        |        |                    |        |        |
|----------------------|------------------------|--------------------------|--------------------------|------------------------|------|-------------|------------------|--------|--------|--------------------|--------|-------------|------------------|--------|--------|--------------------|--------|--------|
| Tyre size, front     |                        |                          |                          |                        |      | 225 / 75R15 |                  |        |        |                    |        | 225 / 75R15 |                  |        |        |                    |        |        |
| Overall width, front |                        |                          |                          |                        |      | 1186mm      |                  |        |        |                    |        | 1186mm      |                  |        |        |                    |        |        |
| Mast                 | h <sub>1</sub><br>(mm) | h <sub>2+s</sub><br>(mm) | h <sub>3+s</sub><br>(mm) | h <sub>4</sub><br>(mm) | Tilt |             | Forks            |        |        | Integral Sideshift |        |             | Forks            |        |        | Integral Sideshift |        |        |
|                      |                        |                          |                          |                        | F    | B           | Load centre (kg) |        |        | Load centre (kg)   |        |             | Load centre (kg) |        |        | Load centre (kg)   |        |        |
|                      |                        |                          |                          |                        |      |             | 500              | 600    | 700    | 500                | 600    | 700         | 500              | 600    | 700    | 500                | 600    | 700    |
| 2 Stage LFL          | 2195                   | 150                      | 3105                     | 3809                   | 6    | 5           | 3000             | 2820   | 2580   | 2970               | 2700   | 2480        | 3500             | 3310   | 3030   | 3490               | 3180   | 2920   |
|                      | 2445                   | 150                      | 3605                     | 4309                   | 6    | 5           | 3000             | 2810   | 2570   | 2950               | 2690   | 2470        | 3500             | 3300   | 3020   | 3480               | 3170   | 2910   |
|                      | 2795                   | 150                      | 4105                     | 4809                   | 6    | 5           | 3000             | 2790   | 2560   | 2940               | 2670   | 2450        | 3500             | 3290   | 3010   | 3460               | 3150   | 2890   |
|                      | 3045                   | 150                      | 4605                     | 5309                   | 6    | 5           | 2890             | 2690   | 2450   | 2820               | 2570   | 2350        | 3340             | 3170   | 2890   | 3340               | 3040   | 2780   |
| 2 Stage FFL          | 2195                   | 1495                     | 3110                     | 3810                   | 6    | 5           | 3000             | 2820   | 2580   | 2960               | 2700   | 2480        | 3500             | 3310   | 3030   | 3490               | 3180   | 2920   |
|                      | 2045                   | 1319                     | 4015                     | 4694                   | 6    | 5           | 3000             | 2800   | 2560   | 2930               | 2670   | 2450        | 3500*            | 3290*  | 3010*  | 3430               | 3150   | 2890   |
| 3 Stage FFL          | 2195                   | 1519                     | 4615                     | 5294                   | 6    | 5           | 2900*            | 2700*  | 2470*  | 2830*              | 2580*  | 2370*       | 3400*            | 3190*  | 2920*  | 3350*              | 3050*  | 2800*  |
|                      | 2345                   | 1669                     | 4915                     | 5594                   | 6    | 5           | 2830*            | 2630*  | 2400*  | 2750*              | 2510*  | 2300*       | 3330**           | 3110** | 2850** | 3270**             | 2980** | 2730** |
|                      | 2445                   | 1769                     | 5215                     | 5894                   | 6    | 5           | 2760*            | 2550*  | 2340*  | 2680*              | 2440*  | 2240*       | 3250**           | 3040** | 2780** | 3190**             | 2900** | 2670** |
|                      | 2695                   | 2015                     | 5815                     | 6494                   | 6    | 5           | 2610**           | 2400** | 2190** | 2510**             | 2290** | 2090**      | 3080**           | 2860** | 2610** | 3000**             | 2740** | 2500** |

\* With wide tread drive tyres (1321 mm width) or dual drive tyres (1601 mm width) - required for this rating. \*\* Dual Drive tyres (1601 mm width) - required for this rating. h<sub>2</sub> & h<sub>4</sub> are less loadbackrest.

## VDI 2198 – General Specifications, Diesel powered GDP20VX, GDP25VX

| Distinguishing mark | 1.1    | Manufacturer (abbreviation)  |                      | Yale                                      | Yale                             | Yale                             |
|---------------------|--------|--|----------------------|---|----------------------------------|----------------------------------|
|                     | 1.2    | Manufacturer's type designation  |                      |   | <b>GDP 20VX</b>                  |                                  |
|                     |        | Engine,<br>Transmission  |                      | Kubota 2.4L Electronic Powershift 1-Speed | Kubota 2.4L, Techtronix, 1 Speed | Kubota 2.4L, Techtronix, 1-Speed |
|                     |        | Model  |                      | Base                                      | Value                            | Productivity                     |
|                     |        | Brake Type   |                      | Drum                                      | Drum                             | Wet brakes                       |
|                     | 1.3    | Drive: electric (battery or mains), diesel, petrol, fuel gas             |                      | Diesel                                    | Diesel                           | Diesel                           |
|                     | 1.4    | Operator type: hand, pedestrian, standing, seated, orderpicker           |                      | Seated                                    | Seated                           | Seated                           |
|                     | 1.5    | Rated capacity / rated load  | Q (t)                | 2.0                                       | 2.0                              | 2.0                              |
|                     | 1.6    | Load centre distance   | c (mm)               | 500                                       | 500                              | 500                              |
|                     | 1.8    | Load distance, centre of drive axle to fork                              | x (mm)               | 471                                       | 471                              | 471                              |
|                     | 1.9    | Wheelbase  | y (mm)               | 1623                                      | 1623                             | 1623                             |
| Weights             | 2.1    | Service weight   | kg                   | 3563                                      | 3563                             | 3563                             |
|                     | 2.2    | Axle loading, laden front / rear   | kg                   | 5048 / 516                                | 5048 / 516                       | 5048 / 516                       |
|                     | 2.3    | Axle loading, unladen front / rear                                       | kg                   | 1851 / 1712                               | 1851 / 1712                      | 1851 / 1712                      |
| Tyres/chassis       | 3.1    | Tyres: P = pneumatic, V = cushion, SE = superelastic                     |                      | SE  | SE                               | SE                               |
|                     | 3.2    | Tyre size, front   |                      | 7.00 X 12 - 12                            | 7.00 X 12 - 12                   | 7.00 X 12 - 12                   |
|                     | 3.3    | Tyre size, rear  |                      | 6.00 X 9                                  | 6.00 X 9                         | 6.00 X 9                         |
|                     | 3.5    | Number of wheels, front/rear (x = driven wheels)                         |                      | 2x / 2                                    | 2x / 2                           | 2x / 2                           |
|                     | 3.6    | Tread, front   | b <sub>10</sub> (mm) | 965                                       | 965                              | 965                              |
|                     | 3.7    | Tread, rear  | b <sub>11</sub> (mm) | 967                                       | 967                              | 967                              |
| Dimensions          | 4.1    | Tilt of mast/fork carriage, forward / backward                           | $\alpha / \beta$ (°) | 6 / 5                                     | 6 / 5                            | 6 / 5                            |
|                     | 4.2    | Height, mast lowered   | h <sub>1</sub> (mm)  | 2170                                      | 2170                             | 2170                             |
|                     | 4.3    | Free lift ▼  | h <sub>2</sub> (mm)  | 140                                       | 140                              | 140                              |
|                     | 4.4    | Lift ▼   | h <sub>3</sub> (mm)  | 3250                                      | 3250                             | 3250                             |
|                     | 4.5    | Height, mast extended +  | h <sub>4</sub> (mm)  | 3904                                      | 3904                             | 3904                             |
|                     | 4.7    | Height of overhead guard (cabin) ○                                       | h <sub>6</sub> (mm)  | 2160                                      | 2160                             | 2160                             |
|                     | 4.7.1  | Cab height (open cab)  | (mm)                 | 2181                                      | 2181                             | 2181                             |
|                     | 4.8    | Seat height relating to SIP/stand height ✕                               | h <sub>7</sub> (mm)  | 1061                                      | 1061                             | 1061                             |
|                     | 4.12   | Coupling height  | h <sub>10</sub> (mm) | 365                                       | 365                              | 365                              |
|                     | 4.19   | Overall length   | l <sub>1</sub> (mm)  | 3486                                      | 3486                             | 3486                             |
|                     | 4.20   | Length to face of forks  | l <sub>2</sub> (mm)  | 2486                                      | 2486                             | 2486                             |
|                     | 4.21   | Overall width □  | b <sub>1</sub> (mm)  | 1157 / 1317 / 1601                        | 1157 / 1317 / 1601               | 1157 / 1317 / 1601               |
|                     | 4.22   | Fork dimensions ISO 2331   | s/e/l (mm)           | 40 X 100 X 1000                           | 40 X 100 X 1000                  | 40 X 100 X 1000                  |
|                     | 4.23   | Fork carriage ISO 2328, class/type A, B                                  |                      | II A                                      | II A                             | II A                             |
|                     | 4.24   | Fork carriage width ▸  | b <sub>3</sub> (mm)  | 1067                                      | 1067                             | 1067                             |
|                     | 4.31   | Ground clearance, laden, below mast                                      | m <sub>1</sub> (mm)  | 107                                       | 107                              | 107                              |
|                     | 4.32   | Ground clearance, centre of wheelbase                                    | m <sub>2</sub> (mm)  | 160                                       | 160                              | 160                              |
|                     | 4.34.1 | Aisle width with pallets 1000mm x 1200mm crossways                       | A <sub>st</sub> (mm) | 3820                                      | 3820                             | 3820                             |
|                     | 4.34.2 | Aisle width with pallets 800mm wide x 1200mm lengthways                  | A <sub>st</sub> (mm) | 4020                                      | 4020                             | 4020                             |
|                     | 4.35   | Turning radius   | W <sub>a</sub> (mm)  | 2149                                      | 2149                             | 2149                             |
|                     | 4.36   | Internal turning radius  | b <sub>13</sub> (mm) | 629                                       | 629                              | 629                              |
|                     | 4.41   | 90° intersecting aisle (with pallet W = 1200mm, L = 1000mm)              | (mm)                 | 1987                                      | 1987                             | 1987                             |
|                     | 4.42   | Step height (from ground to running board)                               | (mm)                 | 702                                       | 702                              | 702                              |
|                     | 4.43   | Step height (between intermediate steps between running board and floor) | (mm)                 | 382                                       | 382                              | 382                              |
| Performance data    | 5.1    | Travel speed laden/unladen   | km/h                 | 17.9 / 18.1                               | 17.9 / 18.1                      | 17.9 / 18.1                      |
|                     | 5.1.1  | Travel speed, laden/unladen, backwards                                   | km/h                 | 17.9 / 18.1                               | 17.9 / 18.1                      | 17.9 / 18.1                      |
|                     | 5.2    | Lift speed, laden/unladen  | m/s                  | 0.62 / 0.64                               | 0.62 / 0.64                      | 0.62 / 0.64                      |
|                     | 5.3    | Lowering speed, laden/unladen  | m/s                  | 0.58 / 0.50                               | 0.58 / 0.50                      | 0.58 / 0.50                      |
|                     | 5.5    | Drawbar pull, laden/unladen *  | N                    | 21160 / 11570                             | 21160 / 11570                    | 21160 / 11570                    |
|                     | 5.7    | Gradeability, laden/unladen **   | %                    | 30.5 / 34.2                               | 30.5 / 34.2                      | 30.5 / 34.2                      |
|                     | 5.9    | Acceleration time, laden/unladen   | s                    | 5.1 / 4.8                                 | 5.1 / 4.8                        | 5.1 / 4.8                        |
|                     | 5.10   | Service brake  |                      | Hydraulic                                 | Hydraulic                        | Hydraulic                        |
| Combustion engine   | 7.1    | Engine manufacturer/type   |                      | Kubota                                    | Kubota                           | Kubota 2.4L                      |
|                     | 7.2    | Engine power according to ISO1585  | kW                   | 43.2                                      | 43.2                             | 43.2                             |
|                     | 7.3    | Rated speed  | min-1                | 2400                                      | 2400                             | 2400                             |
|                     | 7.4    | Number of cylinders/displacement   | (-)/cm <sup>3</sup>  | 4 / 2434                                  | 4 / 2434                         | 4 / 2434                         |
|                     | 7.5    | Fuel consumption according to VDI cycle ***                              | l/h or kg/h          | 2.2                                       | 2.2                              | 2.1                              |
|                     | 8.1    | Type of drive unit   |                      | Automatic                                 | Automatic                        | Hydrodynamic                     |
| Addition data       | 10.1   | Operating pressure for attachments                                       | bar                  | 0 - 155                                   | 0 - 155                          | 0 - 155                          |
|                     | 10.2   | Oil volume for attachments ◇   | l/min                | 75  | 75                               | 75                               |
|                     | 10.3   | Hydraulic oil tank, capacity   | litres               | 45.8                                      | 45.8                             | 45.8                             |
|                     | 10.4   | Fuel tank, capacity  | litres               | 52.8                                      | 52.8                             | 52.8                             |
|                     | 10.7   | Sound pressure level at the driver's seat ★                              | dB(A)                | 78  | 78                               | 78                               |
|                     | 10.7.2 | Guaranteed sound power 2000/14/EC  | dB(A)                | 101                                       | 101                              | 101                              |
|                     | 10.8   | Towing coupling, type DIN  |                      | Pin                                       | Pin                              | Pin                              |

▲ Top of forks.      ✕ Full suspension seat in depressed position.      ▸ Add 32mm with load backrest.      ◇ Variable.      ◆ LWAZ, measured according to the test cycles and based on the weighting values contained in EN12053.  
 ○ Without load backrest.      □ Standard/Wide/Dual. When wet axle selected values are (1186/1321/1601) for all capacities.      \* at 1.6km/h.      ★ LPAZ, measured according to the test cycles and based on the weighting values contained in EN12053.  
 h<sub>6</sub> subject to +/- 5 mm tolerance.      \*\* at 4.8km/h.      \*\*\* With Load Sensing Hydraulics.

| Yale                                       | Yale                             | Yale                             |                      | Manufacturer (abbreviation)  | 1.1    | Distinguishing mark |
|--|----------------------------------|----------------------------------|----------------------|--|--------|---------------------|
| <b>GDP 25VX</b>                            |                                  |                                  |                      | Manufacturer's type designation  | 1.2    |                     |
| Kubota 2.4L Electronic Powershift, 1-Speed | Kubota 2.4L, Techtronix, 1-Speed | Kubota 2.4L, Techtronix, 1-Speed |                      | Engine,<br>Transmission  |        |                     |
| Base                                       | Value                            | Productivity                     |                      | Model  |        |                     |
| Drum                                       | Drum                             | Wet brakes                       |                      | Brake Type   |        |                     |
| Diesel                                     | Diesel                           | Diesel                           |                      | Drive: electric (battery or mains), diesel, petrol, fuel gas             | 1.3    |                     |
| Seated                                     | Seated                           | Seated                           |                      | Operator type: hand, pedestrian, standing, seated, orderpicker           | 1.4    |                     |
| 2.5  | 2.5                              | 2.5                              | Q (t)                | Rated capacity / rated load  | 1.5    |                     |
| 500  | 500                              | 500                              | c (mm)               | Load centre distance   | 1.6    |                     |
| 471  | 471                              | 471                              | x (mm)               | Load distance, centre of drive axle to fork                              | 1.8    |                     |
| 1623                                       | 1623                             | 1623                             | y (mm)               | Wheelbase  | 1.9    |                     |
| 3902                                       | 3902                             | 3902                             | kg                   | Service weight   | 2.1    |                     |
| 5778 / 624                                 | 5778 / 624                       | 5778 / 624                       | kg                   | Axle loading, laden front / rear   | 2.2    |                     |
| 1782 / 2120                                | 1782 / 2120                      | 1782 / 2120                      | kg                   | Axle loading, unladen front / rear                                       | 2.3    |                     |
| SE   | SE                               | SE                               |                      | Tyres: P = pneumatic, V = cushion, SE = superelastic                     | 3.1    |                     |
| 7.00 X 12 - 12                             | 7.00 X 12 - 12                   | 7.00 X 12 - 12                   |                      | Tyre size, front   | 3.2    |                     |
| 6.00 X 9                                   | 6.00 X 9                         | 6.00 X 9                         |                      | Tyre size, rear  | 3.3    |                     |
| 2x / 2                                     | 2x / 2                           | 2x / 2                           |                      | Number of wheels, front/rear (x = driven wheels)                         | 3.5    |                     |
| 965  | 965                              | 965                              | b <sub>10</sub> (mm) | Tread, front   | 3.6    |                     |
| 967  | 967                              | 967                              | b <sub>11</sub> (mm) | Tread, rear  | 3.7    |                     |
| 6 / 5                                      | 6 / 5                            | 6 / 5                            | α / β (°)            | Tilt of mast/fork carriage, forward / backward                           | 4.1    |                     |
| 2170                                       | 2170                             | 2170                             | h <sub>1</sub> (mm)  | Height, mast lowered   | 4.2    |                     |
| 140  | 140                              | 140                              | h <sub>2</sub> (mm)  | Free lift ▼  | 4.3    |                     |
| 3250                                       | 3250                             | 3250                             | h <sub>3</sub> (mm)  | Lift ▼   | 4.4    |                     |
| 3904                                       | 3904                             | 3904                             | h <sub>4</sub> (mm)  | Height, mast extended +  | 4.5    |                     |
| 2160                                       | 2160                             | 2160                             | h <sub>6</sub> (mm)  | Height of overhead guard (cabin) ○                                       | 4.7    |                     |
| 2181                                       | 2181                             | 2181                             | (mm)                 | Cab height (open cab)  | 4.7.1  |                     |
| 1061                                       | 1061                             | 1061                             | h <sub>7</sub> (mm)  | Seat height relating to SIP/stand height ✕                               | 4.8    |                     |
| 365  | 365                              | 365                              | h <sub>10</sub> (mm) | Coupling height  | 4.12   |                     |
| 3559                                       | 3559                             | 3559                             | l <sub>1</sub> (mm)  | Overall length   | 4.19   |                     |
| 2559                                       | 2559                             | 2559                             | l <sub>2</sub> (mm)  | Length to face of forks  | 4.20   |                     |
| 1157 / 1317 / 1601                         | 1157 / 1317 / 1601               | 1157 / 1317 / 1601               | b <sub>1</sub> (mm)  | Overall width □  | 4.21   |                     |
| 40 X 100 X 1000                            | 40 X 100 X 1000                  | 40 X 100 X 1000                  | s/e/l (mm)           | Fork dimensions ISO 2331   | 4.22   |                     |
| II A                                       | II A                             | II A                             |                      | Fork carriage ISO 2328, class/type A, B                                  | 4.23   |                     |
| 1070                                       | 1070                             | 1067                             | b <sub>3</sub> (mm)  | Fork carriage width ▶  | 4.24   |                     |
| 107  | 107                              | 107                              | m <sub>1</sub> (mm)  | Ground clearance, laden, below mast                                      | 4.31   |                     |
| 160  | 160                              | 160                              | m <sub>2</sub> (mm)  | Ground clearance, centre of wheelbase                                    | 4.32   |                     |
| 3887                                       | 3887                             | 3887                             | A <sub>st</sub> (mm) | Aisle width with pallets 1000mm x 1200mm crossways                       | 4.34.1 |                     |
| 4087                                       | 4087                             | 4087                             | A <sub>st</sub> (mm) | Aisle width with pallets 800mm wide x 1200mm lengthways                  | 4.34.2 |                     |
| 2216                                       | 2216                             | 2216                             | W <sub>a</sub> (mm)  | Turning radius   | 4.35   |                     |
| 629  | 629                              | 629                              | b <sub>13</sub> (mm) | Internal turning radius  | 4.36   |                     |
| 2020                                       | 2020                             | 2020                             | (mm)                 | 90° intersecting aisle (with pallet W = 1200mm, L = 1000mm)              | 4.41   |                     |
| 707  | 707                              | 702                              | (mm)                 | Step height (from ground to running board)                               | 4.42   |                     |
| 382  | 382                              | 382                              | (mm)                 | Step height (between intermediate steps between running board and floor) | 4.43   |                     |
| 17.9 / 18.1                                | 17.9 / 18.1                      | 17.9 / 18.1                      | km/h                 | Travel speed laden/unladen   | 5.1    |                     |
| 17.9 / 18.1                                | 17.9 / 18.1                      | 17.9 / 18.1                      | km/h                 | Travel speed, laden/unladen, backwards                                   | 5.1.1  |                     |
| 0.61 / 0.64                                | 0.61 / 0.64                      | 0.61 / 0.64                      | m/s                  | Lift speed, laden/unladen  | 5.2    |                     |
| 0.58 / 0.50                                | 0.58 / 0.50                      | 0.58 / 0.50                      | m/s                  | Lowering speed, laden/unladen  | 5.3    |                     |
| 21020 / 11450                              | 21020 / 11450                    | 21020 / 11450                    | N                    | Drawbar pull, laden/unladen *  | 5.5    |                     |
| 25.9 / 29.3                                | 25.9 / 29.3                      | 25.9 / 29.3                      | %                    | Gradeability, laden/unladen **   | 5.7    |                     |
| 5.3 / 4.8                                  | 5.3 / 4.8                        | 5.3 / 4.8                        | s                    | Acceleration time, laden/unladen   | 5.9    |                     |
| Hydraulic                                  | Hydraulic                        | Hydraulic                        |                      | Service brake  | 5.10   |                     |
| Kubota                                     | Kubota                           | Kubota 2.4L                      |                      | Engine manufacturer/type   | 7.1    |                     |
| 43.2                                       | 43.2                             | 43.2                             | kW                   | Engine power according to ISO1585  | 7.2    |                     |
| 2400                                       | 2400                             | 2400                             | min-1                | Rated speed  | 7.3    |                     |
| 4 / 2434                                   | 4 / 2434                         | 4 / 2434                         | (-)/cm <sup>3</sup>  | Number of cylinders/displacement   | 7.4    |                     |
| 2.8  | 2.8                              | 2.5                              | l/h or kg/h          | Fuel consumption according to VDI cycle ***                              | 7.5    |                     |
| Automatic                                  | Automatic                        | Hydrodynamic                     |                      | Type of drive unit   | 8.1    |                     |
| 0 - 155                                    | 0 - 155                          | 0 - 155                          | bar                  | Operating pressure for attachments                                       | 10.1   |                     |
| 75   | 75                               | 75                               | l/min                | Oil volume for attachments ◊   | 10.2   |                     |
| 45.8                                       | 45.8                             | 45.8                             | litres               | Hydraulic oil tank, capacity   | 10.3   |                     |
| 52.8                                       | 52.8                             | 52.8                             | litres               | Fuel tank, capacity  | 10.4   |                     |
| 78   | 78                               | 78                               | dB(A)                | Sound pressure level at the driver's seat ★                              | 10.7   |                     |
| 101  | 101                              | 101                              | dB(A)                | Guaranteed sound power 2000/14/EC  | 10.7.2 |                     |
| Pin  | Pin                              | Pin                              |                      | Towing coupling, type DIN  | 10.8   |                     |

**Base specification truck based on:** 3290mm (GDP20/25VX) / 3105mm (GDP30/35VX) top of forks 2 stage LFL Standard carriage, 1000mm forks and manual levers.

**Value and Productivity specification truck based on:** 3290mm (GDP20/25VX) / 3105mm (GDP30/35VX) top of forks 2 stage LFL Standard carriage, 1000mm forks and manual levers.

For Value trucks fitted with manual levers, the values for lines 5.2 and 7.5 are as on the Base VDI table.

**All values are nominal values and they are subject to tolerances. For further information, please contact the manufacturer. Yale products might be subject to change without notice.**

Lift trucks illustrated may feature optional equipment. Values may vary with alternative configurations.

## VDI 2198 – General Specifications, Diesel powered GDP 30VX, GDP35VX

| <b>Distinguishing mark</b> | 1.1  | Manufacturer (abbreviation)                                    |  | Yale                                      | Yale                             | Yale                             |
|----------------------------|--|--|--|---|----------------------------------|----------------------------------|
|                            | 1.2  | Manufacturer's type designation                                |  |   | <b>GDP 30VX</b>                  |                                  |
|                            |  | Engine,<br>Transmission  |  | Kubota 2.4L Electronic Powershift 1-Speed | Kubota 2.4L, Techtronix, 1 Speed | Kubota 2.4L, Techtronix, 1-Speed |
|                            |  | Model  |  | Base                                      | Value                            | Productivity                     |
|                            |  | Brake Type   |  | Drum                                      | Drum                             | Wet brakes                       |
|                            | 1.3  | Drive: electric (battery or mains), diesel, petrol, fuel gas   |  | Diesel                                    | Diesel                           | Diesel                           |
|                            | 1.4  | Operator type: hand, pedestrian, standing, seated, orderpicker |  | Seated                                    | Seated                           | Seated                           |
|                            | 1.5  | Rated capacity / rated load                                    | Q (t)  | 3.0                                       | 3.0                              | 3.0                              |
|                            | 1.6  | Load centre distance   | c (mm)   | 500                                       | 500                              | 500                              |
| 1.8                        | Load distance, centre of drive axle to fork                              | x (mm)   | 483  | 483                                       | 483                              |                                  |
| 1.9                        | Wheelbase  | y (mm)   | 1623   | 1623                                      | 1623                             |                                  |
| <b>Weights</b>             | 2.1  | Service weight   | kg   | 4612                                      | 4612                             | 4612                             |
|                            | 2.2  | Axle loading, laden front / rear                               | kg   | 6640 / 972                                | 6640 / 972                       | 6640 / 972                       |
|                            | 2.3  | Axle loading, unladen front / rear                             | kg   | 1823 / 2789                               | 1823 / 2789                      | 1823 / 2789                      |
| <b>Tyres/chassis</b>       | 3.1  | Tyres: P = pneumatic, V = cushion, SE = superelastic           |  | SE  | SE                               | SE                               |
|                            | 3.2  | Tyre size, front   |  | 28 X 9 - 15                               | 28 X 9 - 15                      | 28 X 9 - 15                      |
|                            | 3.3  | Tyre size, rear  |  | 6.50 X 10                                 | 6.50 X 10                        | 6.50 X 10                        |
|                            | 3.5  | Number of wheels, front/rear (x = driven wheels)               |  | 2x / 2                                    | 2x / 2                           | 2x / 2                           |
|                            | 3.6  | Tread, front   | b <sub>10</sub> (mm)                           | 965                                       | 965                              | 965                              |
|                            | 3.7  | Tread, rear  | b <sub>11</sub> (mm)                           | 967                                       | 967                              | 967                              |
|                            | <b>Dimensions</b>  | 4.1  | Tilt of mast/fork carriage, forward / backward | $\alpha / \beta$ (°)                      | 6 / 5                            | 6 / 5                            |
| 4.2                        |  | Height, mast lowered   | h <sub>1</sub> (mm)                            | 2195                                      | 2195                             | 2195                             |
| 4.3                        |  | Free lift ▼  | h <sub>2</sub> (mm)                            | 140                                       | 140                              | 140                              |
| 4.4                        |  | Lift ▼   | h <sub>3</sub> (mm)                            | 3055                                      | 3055                             | 3055                             |
| 4.5                        |  | Height, mast extended +  | h <sub>4</sub> (mm)                            | 3805                                      | 3805                             | 3809                             |
| 4.7                        |  | Height of overhead guard (cabin) ○                             | h <sub>6</sub> (mm)                            | 2185                                      | 2185                             | 2185                             |
| 4.7.1                      |  | Cab height (open cab)  | (mm)   | 2206                                      | 2206                             | 2206                             |
| 4.8                        |  | Seat height relating to SIP/stand height ✕                     | h <sub>7</sub> (mm)                            | 1086                                      | 1086                             | 1086                             |
| 4.12                       |  | Coupling height  | h <sub>10</sub> (mm)                           | 390                                       | 390                              | 390                              |
| 4.19                       |  | Overall length   | l <sub>1</sub> (mm)                            | 3633                                      | 3633                             | 3633                             |
| 4.20                       |  | Length to face of forks  | l <sub>2</sub> (mm)                            | 2633                                      | 2633                             | 2633                             |
| 4.21                       |  | Overall width □  | b <sub>1</sub> (mm)                            | 1186 / 1321 / 1601                        | 1186 / 1321 / 1601               | 1186 / 1321 / 1601               |
| 4.22                       |  | Fork dimensions ISO 2331                                       | s/e/l (mm)                                     | 50 X 120 X 1000                           | 50 X 120 X 1000                  | 50 X 120 X 1000                  |
| 4.23                       |  | Fork carriage ISO 2328, class/type A, B                        |  | III A                                     | III A                            | III A                            |
| 4.24                       |  | Fork carriage width ▶  | b <sub>3</sub> (mm)                            | 1070                                      | 1070                             | 1067                             |
| 4.31                       |  | Ground clearance, laden, below mast                            | m <sub>1</sub> (mm)                            | 132                                       | 132                              | 132                              |
| 4.32                       |  | Ground clearance, centre of wheelbase                          | m <sub>2</sub> (mm)                            | 185                                       | 185                              | 185                              |
| 4.34.1                     |  | Aisle width with pallets 1000mm x 1200mm crossways             | A <sub>st</sub> (mm)                           | 3960                                      | 3960                             | 3955                             |
| 4.34.2                     |  | Aisle width with pallets 800mm wide x 1200mm lengthways        | A <sub>st</sub> (mm)                           | 4155                                      | 4155                             | 4155                             |
| 4.35                       |  | Turning radius   | W <sub>a</sub> (mm)                            | 2277                                      | 2277                             | 2277                             |
| 4.36                       |  | Internal turning radius  | b <sub>13</sub> (mm)                           | 618                                       | 618                              | 618                              |
| 4.41                       | 90° intersecting aisle (with pallet W = 1200mm, L = 1000mm)              | (mm)   | 2077   | 2077                                      | 2077                             |                                  |
| 4.42                       | Step height (from ground to running board)                               | (mm)   | 727  | 727                                       | 727                              |                                  |
| 4.43                       | Step height (between intermediate steps between running board and floor) | (mm)   | 407  | 407                                       | 407                              |                                  |
| <b>Performance data</b>    | 5.1  | Travel speed laden/unladen                                     | km/h   | 19.2 / 19.5                               | 19.2 / 19.5                      | 19.2 / 19.5                      |
|                            | 5.1.1  | Travel speed, laden/unladen, backwards                         | km/h   | 19.2 / 19.5                               | 19.2 / 19.5                      | 19.2 / 19.5                      |
|                            | 5.2  | Lift speed, laden/unladen                                      | m/s  | 0.54 / 0.56                               | 0.54 / 0.56                      | 0.54 / 0.56                      |
|                            | 5.3  | Lowering speed, laden/unladen                                  | m/s  | 0.53 / 0.47                               | 0.53 / 0.47                      | 0.53 / 0.47                      |
|                            | 5.5  | Drawbar pull, laden/unladen *                                  | N  | 19200 / 11100                             | 19200 / 11100                    | 19200 / 11400                    |
|                            | 5.7  | Gradeability, laden/unladen **                                 | %  | 20.2 / 26.5                               | 20.2 / 26.5                      | 20.2 / 26.5                      |
|                            | 5.9  | Acceleration time, laden/unladen                               | s  | 5.5 / 4.9                                 | 5.5 / 4.9                        | 5.8 / 5.2                        |
| 5.10                       | Service brake  |  | Hydraulic                                      | Hydraulic                                 | Hydraulic                        |                                  |
| <b>Combustion engine</b>   | 7.1  | Engine manufacturer/type                                       |  | Kubota                                    | Kubota                           | Kubota 2.4L                      |
|                            | 7.2  | Engine power according to ISO1585                              | kW   | 43.2                                      | 43.2                             | 43.2                             |
|                            | 7.3  | Rated speed  | min-1  | 2400                                      | 2400                             | 2400                             |
|                            | 7.4  | Number of cylinders/displacement                               | (-)/cm <sup>3</sup>                            | 4 / 2434                                  | 4 / 2434                         | 4 / 2434                         |
|                            | 7.5  | Fuel consumption according to VDI cycle ***                    | l/h or kg/h                                    | 3.5                                       | 3.5                              | 3.2                              |
| 8.1                        | Type of drive unit   |  | Automatic                                      | Automatic                                 | Hydrodynamic                     |                                  |
| <b>Addition data</b>       | 10.1   | Operating pressure for attachments                             | bar  | 0 - 155                                   | 0 - 155                          | 0 - 155                          |
|                            | 10.2   | Oil volume for attachments ◊                                   | l/min  | 75  | 75                               | 75                               |
|                            | 10.3   | Hydraulic oil tank, capacity                                   | litres   | 45.8                                      | 45.8                             | 45.8                             |
|                            | 10.4   | Fuel tank, capacity  | litres   | 52.8                                      | 52.8                             | 52.8                             |
|                            | 10.7   | Sound pressure level at the driver's seat ★                    | dB(A)  | 78  | 78                               | 78                               |
|                            | 10.7.2   | Guaranteed sound power 2000/14/EC                              | dB(A)  | 101                                       | 101                              | 101                              |
|                            | 10.8   | Towing coupling, type DIN                                      |  | Pin                                       | Pin                              | Pin                              |

▲ Top of forks.

○ Without load backrest.

h<sub>6</sub> subject to +/- 5 mm tolerance. GDP20-25VX add 25mm when front tyre size 28x9-15 is selected.

✕ Full suspension seat in depressed position.

□ Standard/Wide/Dual. When wet axle selected values are (1186/1321/1601) for all capacities.

▶ Add 32mm with load backrest. \* at 1.6km/h.

\*\* at 4.8km/h. \*\*\*With Load Sensing Hydraulics.

◊ Variable.

★ LPAZ, measured according to the test cycles and based on the weighting values contained in EN12053.

◆ LWAZ, measured according to the test cycles and based on the weighting values contained in EN12053.

| Yale                                       | Yale                             | Yale                             |                      | Manufacturer (abbreviation)  | 1.1    | Distinguishing mark |
|--|----------------------------------|----------------------------------|----------------------|--|--------|---------------------|
| <b>GDP 35VX</b>                            |                                  |                                  |                      | Manufacturer's type designation  | 1.2    |                     |
| Kubota 2.4L Electronic Powershift, 1-Speed | Kubota 2.4L, Techtronix, 1-Speed | Kubota 2.4L, Techtronix, 1 Speed |                      | Engine,<br>Transmission  |        |                     |
| Base                                       | Value                            | Productivity                     |                      | Model  |        |                     |
| Drum                                       | Drum                             | Wet brakes                       |                      | Brake Type   |        |                     |
| Diesel                                     | Diesel                           | Diesel                           |                      | Drive: electric (battery or mains), diesel, petrol, fuel gas             | 1.3    |                     |
| Seated                                     | Seated                           | Seated                           |                      | Operator type: hand, pedestrian, standing, seated, orderpicker           | 1.4    |                     |
| 3.5  | 3.5                              | 3.5                              | Q (t)                | Rated capacity / rated load  | 1.5    |                     |
| 500  | 500                              | 500                              | c (mm)               | Load centre distance   | 1.6    |                     |
| 483  | 483                              | 483                              | x (mm)               | Load distance, centre of drive axle to fork                              | 1.8    |                     |
| 1700                                       | 1700                             | 1700                             | y (mm)               | Wheelbase  | 1.9    |                     |
| 4799                                       | 4799                             | 4799                             | kg                   | Service weight   | 2.1    |                     |
| 7319 / 980                                 | 7319 / 980                       | 7319 / 980                       | kg                   | Axle loading, laden front / rear   | 2.2    |                     |
| 1797 / 3002                                | 1797 / 3002                      | 1797 / 3002                      | kg                   | Axle loading, unladen front / rear                                       | 2.3    |                     |
| SE   | SE                               | SE                               |                      | Tyres: P = pneumatic, V = cushion, SE = superelastic                     | 3.1    |                     |
| 28 X 9 - 15                                | 28 X 9 - 15                      | 28 X 9 - 15                      |                      | Tyre size, front   | 3.2    |                     |
| 6.50 X 10                                  | 6.50 X 10                        | 6.50 X 10                        |                      | Tyre size, rear  | 3.3    |                     |
| 2x / 2                                     | 2x / 2                           | 2x / 2                           |                      | Number of wheels, front/rear (x = driven wheels)                         | 3.5    |                     |
| 965  | 965                              | 965                              | b <sub>10</sub> (mm) | Tread, front   | 3.6    |                     |
| 967  | 967                              | 967                              | b <sub>11</sub> (mm) | Tread, rear  | 3.7    |                     |
| 6 / 5                                      | 6 / 5                            | 6 / 5                            | $\alpha / \beta$ (°) | Tilt of mast/fork carriage, forward / backward                           | 4.1    |                     |
| 2195                                       | 2195                             | 2195                             | h <sub>1</sub> (mm)  | Height, mast lowered   | 4.2    |                     |
| 140  | 140                              | 140                              | h <sub>2</sub> (mm)  | Free lift ▼  | 4.3    |                     |
| 3055                                       | 3055                             | 3055                             | h <sub>3</sub> (mm)  | Lift ▼   | 4.4    |                     |
| 3809                                       | 3809                             | 3809                             | h <sub>4</sub> (mm)  | Height, mast extended +  | 4.5    |                     |
| 2185                                       | 2185                             | 2185                             | h <sub>6</sub> (mm)  | Height of overhead guard (cabin) ○                                       | 4.7    |                     |
| 2206                                       | 2206                             | 2206                             | (mm)                 | Cab height (open cab)  | 4.7.1  |                     |
| 1086                                       | 1086                             | 1086                             | h <sub>7</sub> (mm)  | Seat height relating to SIP/stand height ✕                               | 4.8    |                     |
| 390  | 390                              | 390                              | h <sub>10</sub> (mm) | Coupling height  | 4.12   |                     |
| 3734                                       | 3734                             | 3734                             | l <sub>1</sub> (mm)  | Overall length   | 4.19   |                     |
| 2734                                       | 2734                             | 2734                             | l <sub>2</sub> (mm)  | Length to face of forks  | 4.20   |                     |
| 1186 / 1321 / 1601                         | 1186 / 1321 / 1601               | 1186 / 1321 / 1601               | b <sub>1</sub> (mm)  | Overall width □  | 4.21   |                     |
| 50 X 120 X 1000                            | 50 X 120 X 1000                  | 50 X 120 X 1000                  | s/e/l (mm)           | Fork dimensions ISO 2331   | 4.22   |                     |
| III A                                      | III A                            | III A                            |                      | Fork carriage ISO 2328, class/type A, B                                  | 4.23   |                     |
| 1067                                       | 1067                             | 1067                             | b <sub>3</sub> (mm)  | Fork carriage width ▶  | 4.24   |                     |
| 132  | 132                              | 132                              | m <sub>1</sub> (mm)  | Ground clearance, laden, below mast                                      | 4.31   |                     |
| 185  | 185                              | 185                              | m <sub>2</sub> (mm)  | Ground clearance, centre of wheelbase                                    | 4.32   |                     |
| 4058                                       | 4058                             | 4058                             | A <sub>st</sub> (mm) | Aisle width with pallets 1000mm x 1200mm crossways                       | 4.34.1 |                     |
| 4258                                       | 4258                             | 4258                             | A <sub>st</sub> (mm) | Aisle width with pallets 800mm wide x 1200mm lengthways                  | 4.34.2 |                     |
| 2380                                       | 2380                             | 2380                             | W <sub>a</sub> (mm)  | Turning radius   | 4.35   |                     |
| 647  | 647                              | 647                              | b <sub>13</sub> (mm) | Internal turning radius  | 4.36   |                     |
| 2111                                       | 2111                             | 2111                             | (mm)                 | 90° intersecting aisle (with pallet W = 1200mm, L = 1000mm)              | 4.41   |                     |
| 727  | 727                              | 727                              | (mm)                 | Step height (from ground to running board)                               | 4.42   |                     |
| 407  | 407                              | 407                              | (mm)                 | Step height (between intermediate steps between running board and floor) | 4.43   |                     |
| 19.2 / 19.5                                | 19.2 / 19.5                      | 19.2 / 19.5                      | km/h                 | Travel speed laden/unladen   | 5.1    |                     |
| 19.2 / 19.5                                | 19.2 / 19.5                      | 19.2 / 19.5                      | km/h                 | Travel speed, laden/unladen, backwards                                   | 5.1.1  |                     |
| 0.53 / 0.56                                | 0.53 / 0.56                      | 0.53 / 0.56                      | m/s                  | Lift speed, laden/unladen  | 5.2    |                     |
| 0.53 / 0.47                                | 0.53 / 0.47                      | 0.53 / 0.47                      | m/s                  | Lowering speed, laden/unladen  | 5.3    |                     |
| 19050 / 11000                              | 19050 / 11000                    | 19050 / 11400                    | N                    | Drawbar pull, laden/unladen *  | 5.5    |                     |
| 18.3 / 24.3                                | 18.3 / 24.3                      | 18.3 / 24.3                      | %                    | Gradeability, laden/unladen **   | 5.7    |                     |
| 5.6 / 5.0                                  | 5.6 / 5.0                        | 6.0 / 5.0                        | s                    | Acceleration time, laden/unladen   | 5.9    |                     |
| Hydraulic                                  | Hydraulic                        | Hydraulic                        |                      | Service brake  | 5.10   |                     |
| Kubota                                     | Kubota                           | Kubota 2.4L                      |                      | Engine manufacturer/type   | 7.1    |                     |
| 43.2                                       | 43.2                             | 43.2                             | kW                   | Engine power according to ISO1585  | 7.2    |                     |
| 2400                                       | 2400                             | 2400                             | min-1                | Rated speed  | 7.3    |                     |
| 4 / 2434                                   | 4 / 2434                         | 4 / 2434                         | (-)/cm <sup>3</sup>  | Number of cylinders/displacement   | 7.4    |                     |
| 3.9  | 3.9                              | 3.6                              | l/h or kg/h          | Fuel consumption according to VDI cycle ***                              | 7.5    |                     |
| Automatic                                  | Automatic                        | Hydrodynamic                     |                      | Type of drive unit   | 8.1    |                     |
| 0 - 155                                    | 0 - 155                          | 0 - 155                          | bar                  | Operating pressure for attachments                                       | 10.1   |                     |
| 75   | 75                               | 75                               | l/min                | Oil volume for attachments ◊   | 10.2   |                     |
| 45.8                                       | 45.8                             | 45.8                             | litres               | Hydraulic oil tank, capacity   | 10.3   |                     |
| 52.8                                       | 52.8                             | 52.8                             | litres               | Fuel tank, capacity  | 10.4   |                     |
| 78   | 78                               | 78                               | dB(A)                | Sound pressure level at the driver's seat ★                              | 10.7   |                     |
| 101  | 101                              | 101                              | dB(A)                | Guaranteed sound power 2000/14/EC  | 10.7.2 |                     |
| Pin  | Pin                              | Pin                              |                      | Towing coupling, type DIN  | 10.8   |                     |

**Base specification truck based on:** 3290mm (GDP20/25VX) / 3105mm (GDP30/35VX) top of forks 2 stage LFL Standard carriage, 1000mm forks and manual levers.

**Value and Productivity specification truck based on:** 3290mm (GDP20/25VX) / 3105mm (GDP30/35VX) top of forks 2 stage LFL Standard carriage, 1000mm forks and manual levers.

For Value trucks fitted with manual levers, the values for lines 5.2 and 7.5 are as on the Base VDI table.

**All values are nominal values and they are subject to tolerances. For further information, please contact the manufacturer. Yale products might be subject to change without notice.**

Lift trucks illustrated may feature optional equipment. Values may vary with alternative configurations.

# VX series

Models: GDP 20VX, GDP 25VX, GDP 30VX, GDP 35VX



## Yale Veracitor VX Series

Available in three configurations;

**Base** - top performance, minimised cost of acquisition.

**Value** - excellent performance, lowest hourly operating cost.

**Productivity** - maximum performance utilising state-of-the-art features.

### Engines

A range of heavy duty engines with reliable power over 20,000 hour life cycle with 500 hour service intervals.

Stage V fully compliant Kubota 2.4l engine with DPF (Diesel Particular Filter) reduces emissions and removes diesel smell and soot particles from the exhaust.

Stage V engines do not adversely affect the truck performance or productivity and acceleration and lifting/lowering speeds remain unchanged.

Unlike some larger emission compliant machines the engine system does not utilise Diesel Emission Fluid (DEF; known as 'Adblue')

### Two Transmissions

#### Electronic Powershift

Electronic inching and shift control, neutral start switch, anti-restart protection and heavy-duty clutch packs.

#### Techtronix 100

Electronic Powershift plus Auto Deceleration System (ADS), Controlled Power Reversal (CPR) and Controlled Roll-back (CRB).

### Load Sensing Hydraulics (LSH)

AccuTouch electrohydraulic controls (LSH)\* deliver increased efficiency. The engine supplies power to the variable displacement hydraulic pumps only when required.

LSH has an ECO-eLo (Fuel Efficiency) mode, the truck operates in it's economical power range. Faster work rate or higher productivity is available via HiP (High Performance) mode.

*(\*Load Sensing Hydraulics is available on trucks with AccuTouch mini-levers, ECO-eLo function is available on trucks with Techtronix transmissions only).*

### Autospeed Hydraulics

Automatically increases engine speed for full hydraulic power. Pacesetter VSM maintains travel speed (or prevents travel) until the accelerator is actuated; no inching is required, simplifying operator actions.

### Cooling System

The cooling system employs a pushertype fan, water pump and high capacity, crossflow radiator to ensure rapid heat dissipation.

### Masts

Full range of Yale 2 and 3 stage LFL and FFL masts.

### Brakes

**Base and Value** - Duo-servo hydraulic, self-energizing, with automatic adjustment.

**Productivity** - Sealed oil-immersed brake requiring minimal maintenance.

### Hydraulic Power Steering

Responsive control, with the steer cylinder is located within the the steer axle for protection.

### Continuous Stability Enhancement (CSE)

CSE improves lateral truck stability through reduced steer axle articulation, allowing travel on uneven surfaces.

### Operator's Compartment

Standard cowl mounted hydraulic control levers. All models are available with optional AccuTouch mini-levers plus horn and direction switch.

Full Suspension Seat and isolated powertrain provide best in class Whole-Body Vibration levels for operator comfort.

Automotive-style pedals with a large, single inch/brake pedal are standard.

### Intellix Vehicle System Management (VSM)

VSM master truck controller provides extensive monitoring and control of functions and systems.

CAN bus wiring, sealed connectors and Hall Effect sensors reduces complexity for truck system communication.

### Options

- Premium monitoring package
- High air intake with pre-cleaner
- Accumulator
- Keyless start (with auxiliary key switch)
- Traction speed limiter
- Heavy-duty "Combi Cooler" radiator
- Return-to-set tilt
- Foot directional control
- Autospeed Hydraulics
- Alarm-reverse
- Amber strobe light
- Impact monitor
- Load weight indicator
- Pedestrian Awareness Light
- Panoramic mirror.

### Gold Edition

To celebrate the continued success of the Veracitor truck, we are introducing the Gold Edition for 2 to 3.5 tonne trucks.

The Yale Gold Edition VX Veracitor includes the following accessories as standard:

- Vinyl Sears Air Suspension Seat
- LED lights
- Return to Set Tilt when e-hydraulics is ordered
- Powertrain protection and Speed Limiter when Techtronix transmission is ordered
- Operator Password function
- Extended Warranty of 2 years/ 4000 hours

## Yale Europe Materials Handling

Centennial House, Frimley Business Park,  
Frimley, Surrey GU16 7SG  
United Kingdom

Tel: +44 (0) 1276 538500



Fax: +44 (0) 1276 538559

[www.yale.com](http://www.yale.com)

Publication part no. 220990285 Rev31 Printed in The Netherlands (0520HG) EN.  
HYSTER-YALE UK LIMITED trading as Yale Europe Materials Handling.

**Safety:** This truck conforms to the current EU requirements.

Specification is subject to change without notice.

Yale, VERACITOR and  are registered trademarks. "PEOPLE, PRODUCTS, PRODUCTIVITY", PREMIER, Hi-Vis, and CSS are trademarks in the United States and certain other jurisdictions. MATERIALS HANDLING CENTRAL and MATERIAL HANDLING CENTRAL are Service Marks in the United States and certain other jurisdictions.  is a Registered Copyright.

©Yale Europe Materials Handling 2020. All rights reserved. Truck shown with optional equipment.  
Country of Registration: England and Wales. Company Registration Number: 02636775

